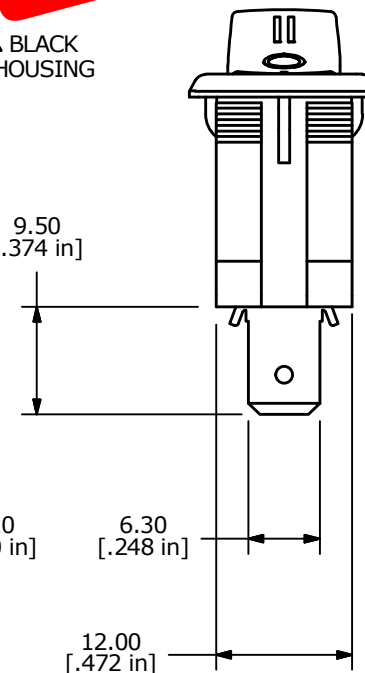
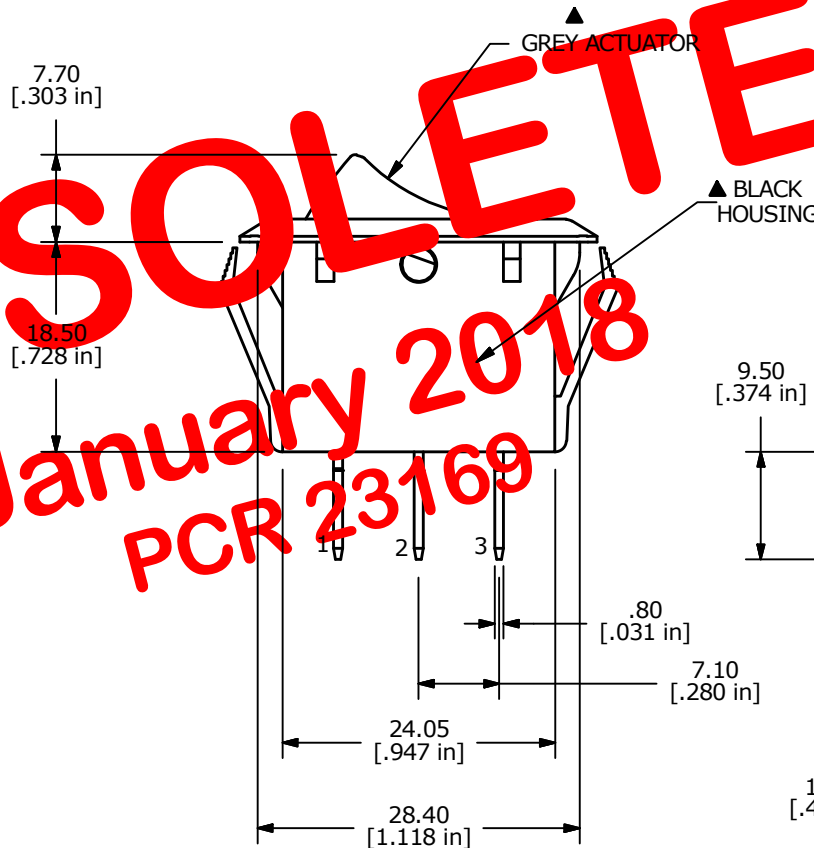
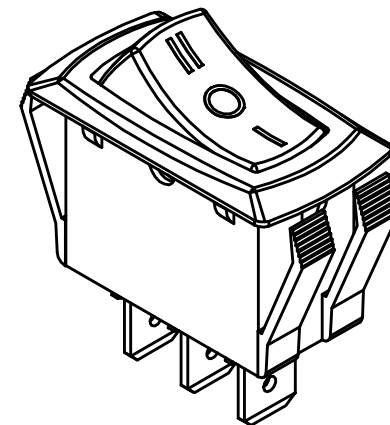
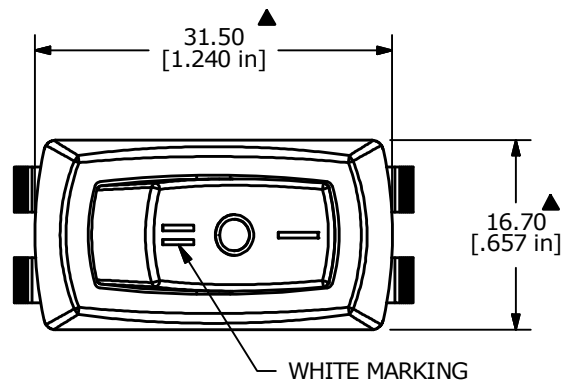


SWITCH FUNCTION		
POS. 1	POS. 2	POS. 3
ON	OFF	ON
2-3	OPEN	2-1



- NOTES:
- ALL DIMENSIONS IN MM [INCH]
 - GENERAL TOLERANCE: X.X=±0.4
X.XX=±0.25
 - TERM. NOS. FOR REF. ONLY
 - ▲ RATING: 20A @125VAC;
16A @250VAC.
 - ELECTRICAL LIFE: 10,000 CYCLES MIN.
 - CONTACT RESISTANCE: 20 Milli-OHMS MAX.
 - OPERATING TEMP: -20°C TO 85°C
 - DIELECTRIC STRENGTH: >1,000V AC 1MIN
 - LAMP VOLTAGE: NONE
 - ▲ DENOTES CRITICAL PARAMETER.
 - 2002/95/EC (ROHS) COMPLIANT.

OBSOLETE
 January 2018
 PCR 23169



TITLE RSC145D142S				
SCALE	DATE 4/10/2013	DR EBP	DWG 38-RSC145D142S	REV A

A	21099	New Release	4/10/13	EBP
REV	PCR NO	DESCRIPTION	DATE	BY

THE INFORMATION CONTAINED IN THIS DOCUMENT IS PROPRIETARY TO E-SWITCH AND IS NOT TO BE COPIED OR TRANSFERRED